

ModulPrint



large character



high definition

- ▶ Total package graphics with print head up to 190mm
- ▶ Unique performance in every kind of industrial environment
- ▶ Printing flexibility through the ability to mix both high and low resolution print heads in the same controller
- ▶ High contrast specialized Inks for bar code printing
- ▶ Intuitive programming in order to reduce code change times
- ▶ Serviceable and interchangeable stainless steel nozzle plates



technical specification

ModulPrint

printing characteristics

Modular management up to 16 heads in high and low definition
 Up to 5 lines of print with high definition head
 Up to 6 lines of print with low definition head
 Characters height from 1,5 to 48 mm (0,06"-1,9") with head in high definition
 Characters height from 5 to 190 mm (0,2"-7,5") with head in low definition
 Line speed capability up to 180 mt/min (591 ft/min)
 100 messages storage
 Up to 80 characters per message with low definition head
 Up to 240 characters per message with high definition head
 Selectable lines vertical gap
 Font matrix with high definition head : 5x5, 7x5, 9x7, 15x10, 16x10, 32x18
 Font matrix with low definition head : 5x5, 7x5, 9x7, 16x10, 32x18, 48x30
 Logo editor
 26 logos storage
 Automatic date and expiry date multifunction
 Incrementing/decrementing product counters up to 9 digits
 Repeat print - message function
 Printing in all moving directions
 Tower print function (text rotation of 90°)

bar codes (high definition version)

2/5 Industrial • UPC-A • CODE 39 • EAN 13 • EAN 128 (A,B,C)
 • CODE 128 (A,B,C) • ITF (A,B,C)

construction characteristics

Membrane keyboard solvent resistant
 Backlit graphics WYSIWYG display
 Stainless steel structure AISI 304
 Printing head-console distance: up to 10 mt (33 ft)

general features

Ability to store the printing parameters in each message
 Report function for executed printing counter
 Operator password access
 Operator interface with foreign languages

high definition print head

High speed piezoelectric technology
 Horizontal resolution up to 200 dpi
 Vertical resolution up to 64 dpi
 Stainless steel unique nozzle plate AISI 316
 Serviceable and repairable nozzle plates
 Pigmented inks solvent free
 Innovative shock and vibration proof system
 Stainless steel structure AISI 304
 Dimensions print head T96: 148 mm x 130 mm x 90 mm (5,8" x 5,1" x 3,5")
 Dimensions print head T192: 148 mm x 125 mm x 110 mm (5,8" x 4,9" x 4,3")
 Dimensions print head T352: 148 mm x 55 mm x 120 mm (5,8" x 2,1" x 4,7")

low definition print head

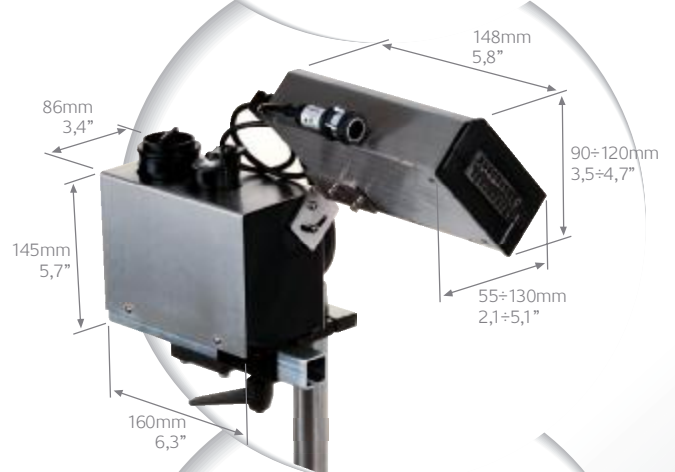
High speed solenoid technology
 Rapid drying solvent based high adhesion Inks
 Stainless steel nozzle plate AISI 304
 Stainless steel structure AISI 304
 Dimensions print head 7 dots: 230 mm x 80 mm x 45 mm (9,0" x 3,1" x 1,8")
 Dimensions print head 16 dots: 230 mm x 80 mm x 85 mm (9,0" x 3,1" x 3,3")
 Dimensions print head 48 dots: 230 mm x 80 mm x 215 mm (9,0" x 3,1" x 8,5")

external connections

Serial port: RS232, RS422 e RS485
 Optical sensor for product sensing
 Parallel interface for BCD input
 System ready output
 Encoder connection for variable speed production lines
 External alarm outputs with 3 lights column
 Scanner connection for bar code verification

environment/electric requirements

Temperature: from 5° to 45°C (40° - 113°F)
 Humidity: 0 - 90% (non-condensing)
 Single Phase, 85 - 240 Vac, 50 - 60 Hz, 200 VA



Zanasi S.r.l.
 41049 Sassuolo (MO) Italy
 Via Marche, 10
 Tel. +39 0536 999711
 Fax +39 0536 999765
 www.zanasi.it - info@zanasi.it

Zanasi USA
 Brooklyn Park, Minneapolis MN 55428 - USA
 8601 73rd Avenue North, Suite 38
 Tel. +1 763 5931907
 Fax +1 763 5931941
 www.zanasiusa.com - info@zanasiusa.com

Zanasi (Guangzhou) Co. Ltd
 Zhongcun KaiFaQu A Qu, Panyu
 511495 Guangzhou, China
 Tel. +86 20 61962001
 Fax +86 20 23833211
 www.zanasichina.com - info@zanasichina.com

ZANASI®
 INDUSTRIAL INK-JET PRINTING SYSTEMS